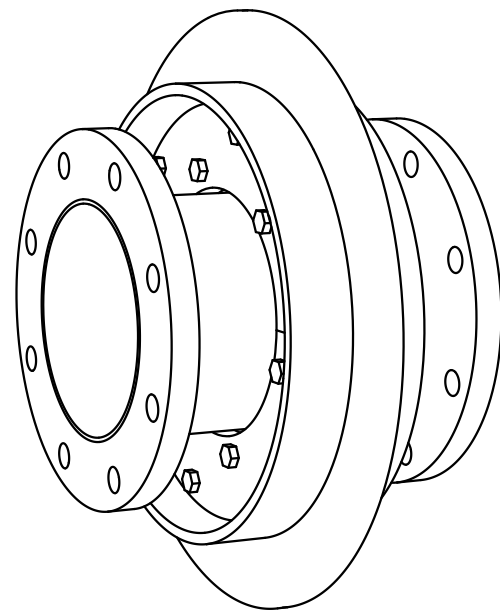
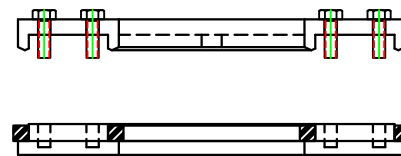
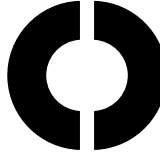



A	B	C	D	E	F	G
42.4	120	150	250	8	100	300
48.3	130	160	260	8	100	300
60.3	140	170	270	8	100	300
76.1	160	190	290	8	100	300
88.9	190	220	320	8	100	300
114.3	210	270	370	8	100	300
139.7	240	300	400	8	100	300
168.3	265	300	400	8	100	300
219.1	320	400	500	8	100	300
273	375	440	540	8	100	300
323.8	440	508	608	10	150	350
335.6	490	609.6	709.6	10	150	350
406.4	540	609.6	709.6	10	150	350
457.2	595	711	811	10	150	350
508	645	711	811	10	150	350
609.6	755	813	913	10	150	350
711	860	914	1014	10	150	350
813	975	1016	1116	10	150	350
914	1075	1117.6	1217.6	10	150	350
1016	1175	1219.2	1319.2	10	150	350
<MM>	<MM>	<MM>	<MM>	<MM>	<MM>	<MM>



SECTION A-A



General tolerances used for manufacturing	Sheet N° 001	Format : A2	Material: Alluminium	TotWeight N/A
 Hell Sea	Title HELL SEA STANDARD VERSION ASSEMBLY - ALLUMINIUM			Projection Method 
	Restricted due to Information Drawing	Drawing number HSSTA-30112020-001		REV 1